

C-7 Collaborative Arm

C-7 is an advanced, 2nd generation, 6 axis collaborative robotic arm that is safe to use around people. The robotic arm is equipped with state-of-the-art sensor fusion technology for impact prevention and contact detection. The robotic arm can operate without the need for safety fences or other protective measures in most applications.



C-7

The C-7 has Hand-guiding and Floating modes to provide a simple and efficient method to program complex tasks without prior knowledge of programming. Its high speed and high precision make the C-7 an ideal choice for a wide range of applications including assembly, screwdriving, grinding, polishing, welding and machine tending.

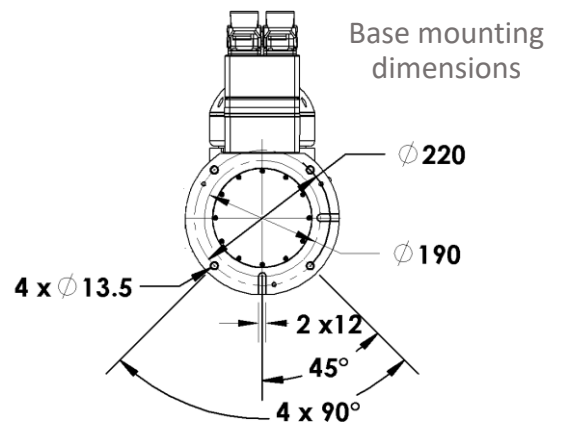
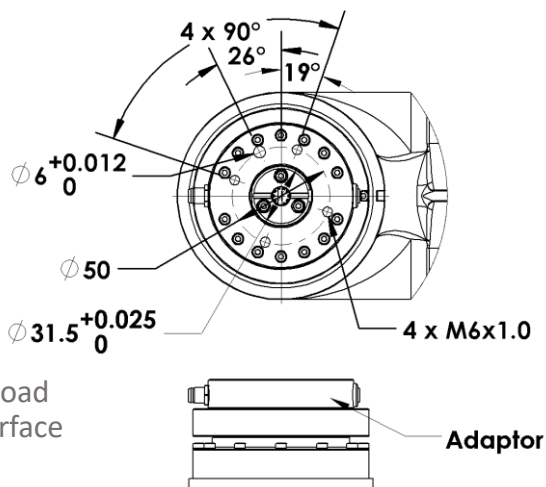
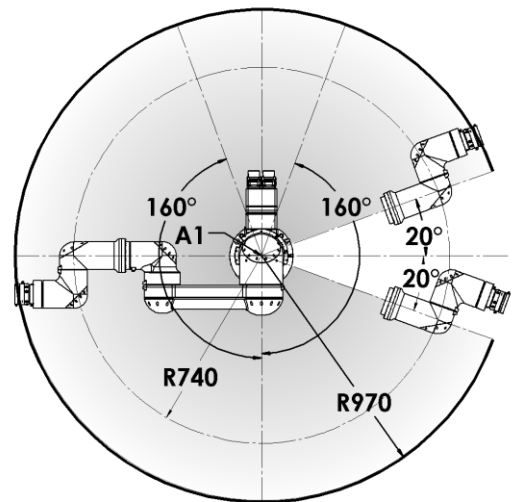
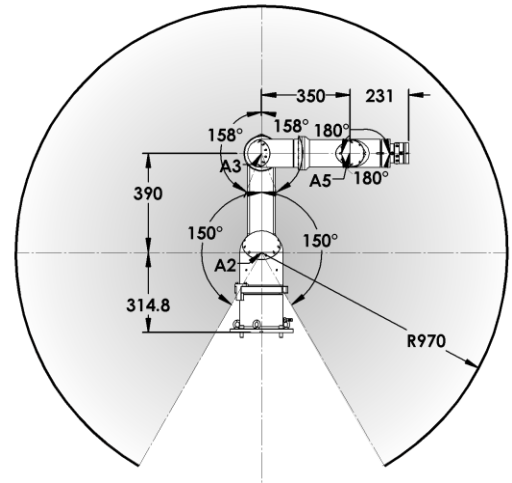
C-7 Collaborative Arm

C-7 Arm Joint Parameters

Axis	Max. motion range [°]	Max. speed [°/sec]
A1	±160	190
A2	±150	190
A3	±158	260
A4	±180	280
A5	±180	360
A6	±180	360

C-7 Arm Features

Number of axes	6
Repeatability [mm]	±0.05
Workspace radius [mm]	900
Mass of arm [kg]	60
Rated Payload [kg]	7
Mechanical brake	All Joints
Working temperature [°C]	0-40



Technical specifications subject to change without notice



Engineering Services Inc.
11 Allstate Parkway, Suite 110
Markham, Ontario, L3R 9T8, Canada

Tel: 416-595-5519
Fax: 416-595-9994

sales@esit.com
www.esit.com



Driven by Technology

C-series Controller



Controller Specifications	Standard	Optional
Supply Voltage [VAC]	100-240 - 1 ϕ	
Supply Current [A]	30	
Supply Frequency [Hz]	50-60	
Enclosure dimension [mm]	730 x 500 x 500	
Weight [kg]	68	
Temperature [°C]	0 – 50	
Humidity (max.) [%]	95 Non-condensing	
Protection rating [IP]	54	
Mounting	Free standing	
Teach pendant	10" LCD colour touch screen	
Analog input -10 V...10 V, 12 Bit	2	
Digital output [24 VDC]	8	
Digital input [24 VDC]	6	
Safety inputs [24 VDC]	4	8
Safety outputs [24 VDC]	4	8
Communication Protocols	Ethernet, EtherCAT	Please consult factory
Force and Torque Sensor		6 DOF
Safety Vision System		3D camera
External Ports – USB A	2	3
External Ports – RJ-45	2	3

C-series Controller Features

- High Performance Industrial PC-based control technologies.
- Quick and easy operation with control buttons and user-friendly Graphical User Interface.
- High accuracy motion control.
- Multi-core processor supports high speed and parallel processing tasks.
- Generic controller for all C series robotic arms.
- Contact detection (including dynamic and quasi-static contacts)
- Hand guiding.
- Back-drivable mode.
- Safety vision compatible.

Technical specifications subject to change without notice



Engineering Services Inc.
11 Allstate Parkway, Suite 110
Markham, Ontario, L3R 9T8, Canada

Tel: 416-595-5519
Fax: 416-595-9994

sales@esit.com
www.esit.com

